



# HAM-LET MEDIA HEADER

## HMH



## HMH FEATURES

- Welded body construction schedule 40 and 80
- 316L stainless steel
- Modular design for maintenance and easy installation
- Maximum allowed working pressure 1000 psi (69 bar)
- Available in 1" and 2" manifold body
- Wide range of valve options: H-800, H-700, H-500, H-300U series
- Multiple choices of inlet and outlet types
- Up to 12 outlet distribution valves

## TESTING

Each Media Header is tested for leakage through the shell with Nitrogen at 80 psig.

## CLEANING & PACKAGING

Every Media Header is cleaned in accordance with Standard Cleaning and Packaging (Procedure 8184).

## MATERIALS OF CONSTRUCTION

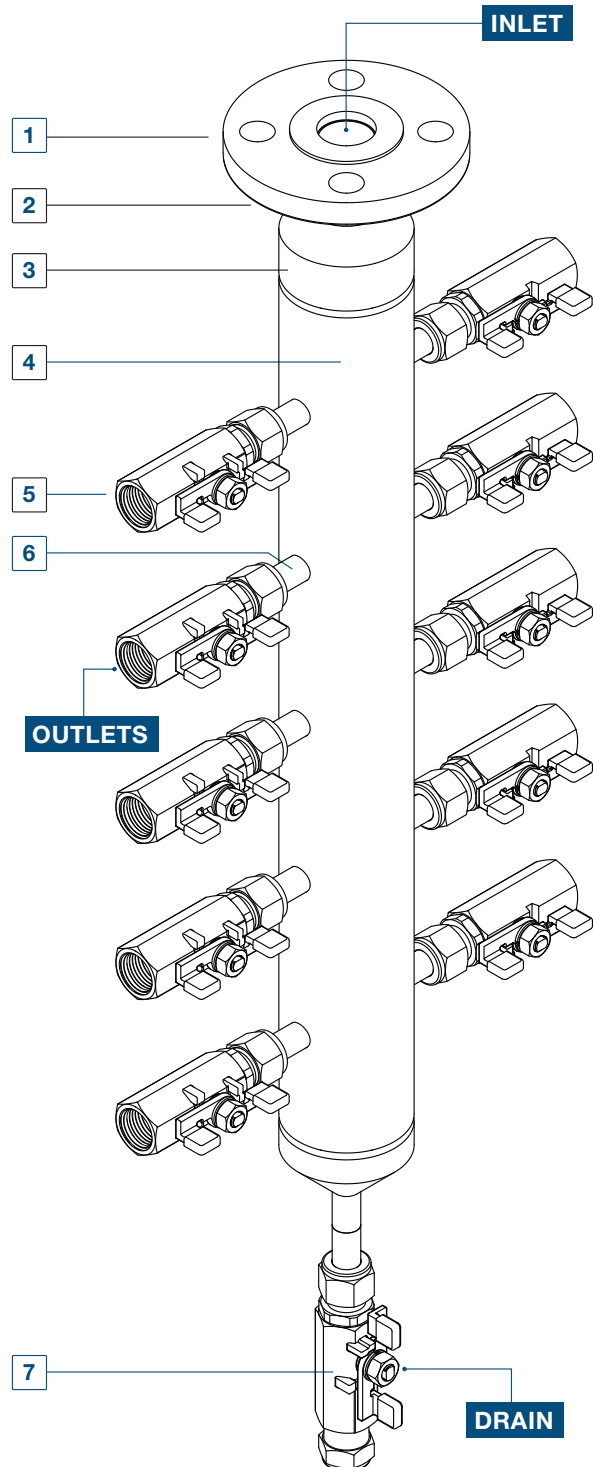
No.	COMPONENTS	MATERIAL
1	Inlet (Valve, Fitting or Flange)	316 Stainless Steel
2	Adapter Inlet	316L Stainless Steel
3	Reducer	316L Stainless Steel
4	Pipe	316L Stainless Steel
5	Outlet Valve	H-800, H-700, H-500, H-300U
6	Adapter Outlet	316L Stainless Steel
7	Drain (Valve or Fitting)	316 Stainless Steel

All welded parts are SS316L constructed

## GENERAL

Media Header distribution is a common solution in a variety of gas and liquid applications.

The Media Header allows for multiple outlet flow paths which can be controlled by activation of the valves. The Media Header design consists of an inlet, multiple outlets on the sides and a drain in the opposite side of the inlet.



# HAM-LET MEDIA HEADER ORDERING INFORMATION

## Options

<b>HMH</b>	<b>14</b>	<b>6</b>	<b>7</b>	<b>LK16</b>	<b>7</b>	<b>LK</b>	<b>8</b>	<b>7</b>	<b>LK08</b>			
<b>Valve Series</b>	<b>Inlet</b>		<b>Outlet</b>		<b>Type Connection</b>		<b>Drain Connection</b>			<b>Option*</b>		
<b>Pipe Size</b>	<b>3</b>	H-300U	<b>3</b>	H-300U	<b>LK</b>	Let-Lok	<b>DN15</b>	DIN DN15/PN40		<b>G</b>	Pressure Gauge	
<b>14</b>	<b>5</b>	H-500	<b>5</b>	H-500	<b>TS</b>	Tube fitting	<b>DN25</b>	DIN DN25/PN40		<b>D</b>	Dye penetration test for all welding	
<b>24</b>	<b>7</b>	H-700	<b>7</b>	H-700	<b>MP</b>	Male NPT	<b>EN15</b>	EN DN15/PN40		<b>O</b>	Valve on one side	
<b>Number of Outlets*</b>	<b>8</b>	H-800	<b>8</b>	H-800	<b>FP</b>	Female NPT	<b>EN25</b>	EN DN25/PN40		*It is possible to choose more than one option		
<b>6</b>	<b>F</b>	Flange	<b>F</b>	Flange	<b>Outlet Connection</b>		<b>N1</b>	ANSI flange class 150				
<b>8</b>	<b>L</b>	Fitting	<b>L</b>	Fitting	<b>04</b>	1/4	<b>N3</b>	ANSI flange class 300				
<b>10</b>	<b>Inlet Connection</b>				<b>06</b>	3/8	<b>N6</b>	ANSI flange class 600				
<b>12</b>	<b>DN15</b>	DIN DN15/PN40		<b>08</b>	1/2	<b>N9</b>	ANSI flange class 900					
*Other number of outlets available upon request												
	<b>DN25</b>	DIN DN25/PN40		<b>6M</b>	6MM	<b>N15</b>	ANSI flange class 1500					
	<b>EN15</b>	EN DN15/PN40		<b>8M</b>	8MM	<b>N25</b>	ANSI flange class 2500					
	<b>EN25</b>	EN DN25/PN40		<b>10M</b>	10MM	<b>MP16</b>	1" Female NPT					
	<b>N1</b>	ANSI flange class 150		<b>12M</b>	12MM	<b>MP04</b>	1/4" MNPT					
	<b>N3</b>	ANSI flange class 300		<b>Drain</b>		<b>MP06</b>	3/8" MNPT					
	<b>N6</b>	ANSI flange class 600		<b>8</b>	H-800	<b>MP08</b>	1/2" MNPT					
	<b>N9</b>	ANSI flange class 900		<b>5</b>	H-500	<b>FP04</b>	1/4" FNPT					
	<b>N15</b>	ANSI flange class 1500		<b>7</b>	H-700	<b>FP06</b>	3/8" FNPT					
	<b>N25</b>	ANSI flange class 2500		<b>F</b>	H-300U	<b>FP08</b>	1/2" FNPT					
	<b>MP16</b>	1" Female NPT		<b>F</b>	Flange	<b>LK04</b>	1/4" Let-Lok					
	<b>MP04</b>	1/4" MNPT		<b>L</b>	Fittings	<b>LK06</b>	3/8" Let-Lok					
	<b>MP06</b>	3/8" MNPT										
	<b>MP08</b>	1/2" MNPT										
	<b>FP04</b>	1/4" FNPT										
	<b>FP06</b>	3/8" FNPT										
	<b>FP08</b>	1/2" FNPT										
	<b>LK04</b>	1/4" Let-Lok										
	<b>LK06</b>	3/8" Let-Lok										
	<b>LK08</b>	1/2" Let-Lok										
	<b>LK12</b>	3/4" Let-Lok										
	<b>LK16</b>	1" Let-Lok										
	<b>LK6M</b>	6mm Let-Lok										
	<b>LK8M</b>	8mm Let-Lok										
	<b>LK10M</b>	10mm Let-Lok										
	<b>LK12M</b>	12mm Let-Lok										
	<b>LK25M</b>	25mm Let-Lok										

If you require a different configuration, please contact your authorized UCT representative.

