



# HEAVY DUTY BALL VALVES

HAM-LET H-1700 SERIES



## H-1700 FEATURES

- On/off-service ball valve with 2-way pattern
- Blow-out proof stem
- Stainless steel construction
- MAWP\* 6000 psi (413 bar)
- MAWT\*\* 500°F (260°C)
- Variable end connection types and sizes from 1/8" to 1" (3mm to 25mm)

\*Maximum Allowed Working Pressure

\*\*Maximum Allowed Working Temperature

## H-1700 GENERAL

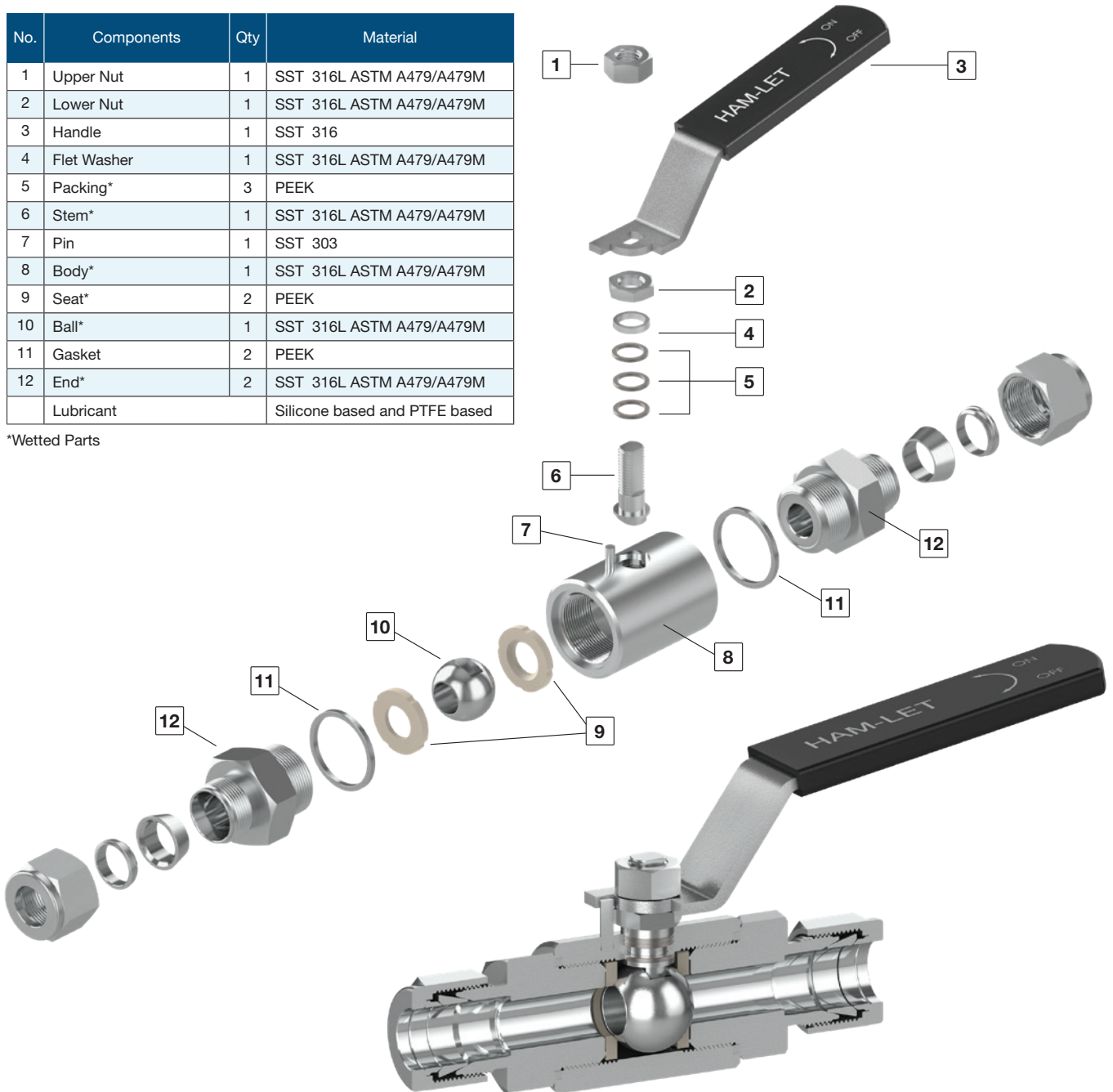
The H-1700 Series is a high-pressure and high-temperature instrumentation ball valve for general service.

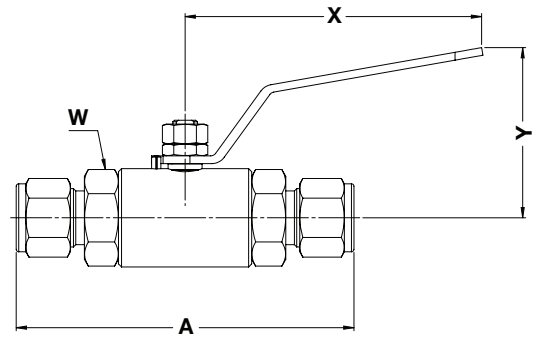
The H-1700 series is designed for heavy duty service due to its low operation torque, large and ergonomic handle for better grip and high cycle and thermal cyclic durability.

## MATERIALS OF CONSTRUCTION

No.	Components	Qty	Material
1	Upper Nut	1	SST 316L ASTM A479/A479M
2	Lower Nut	1	SST 316L ASTM A479/A479M
3	Handle	1	SST 316
4	Flet Washer	1	SST 316L ASTM A479/A479M
5	Packing*	3	PEEK
6	Stem*	1	SST 316L ASTM A479/A479M
7	Pin	1	SST 303
8	Body*	1	SST 316L ASTM A479/A479M
9	Seat*	2	PEEK
10	Ball*	1	SST 316L ASTM A479/A479M
11	Gasket	2	PEEK
12	End*	2	SST 316L ASTM A479/A479M
	Lubricant		Silicone based and PTFE based

\*Wetted Parts





## H-1700 CONFIGURATION DIMENSIONS

Size	End Connection	Orifice		A		X		Y		W
		mm	inch	mm	inch	mm	inch	mm	inch	
1/8"	LET-LOK®	2.3	0.09	95.5	3.76	96	3.78	54.9	2.16	27
1/4"		4.8	0.19	100.3	3.95	96	3.78	54.9	2.16	27
3/8"		7.1	0.28	103.4	4.07	96	3.78	54.9	2.16	27
1/2"		10	0.39	109.0	4.29	96	3.78	54.9	2.16	27
3/4"		15.8	0.62	162.6	6.40	149.1	5.87	86.4	3.40	46
1"		19	0.75	171.5	6.75	149.1	5.87	86.4	3.40	46
3mm	LET-LOK	2.3	0.09	95.5	3.76	96	3.78	54.9	2.16	27
6mm		4.8	0.19	100.3	3.95	96	3.78	54.9	2.16	27
8mm		6.4	0.25	102.1	4.02	96	3.78	54.9	2.16	27
10mm		7.9	0.31	103.9	4.09	96	3.78	54.9	2.16	27
12mm		10	0.39	109.0	4.29	96	3.78	54.9	2.16	27
25mm		19	0.75	171.5	6.75	149.1	5.87	86.4	3.40	46
1/8"	Female NPT/BSPT	7.8	0.31	77.7	3.06	96	3.78	54.9	2.16	27
1/4"		10	0.39	77.7	3.06	96	3.78	54.9	2.16	27
3/8"		10	0.39	77.7	3.06	96	3.78	54.9	2.16	27
1/2"		10	0.39	77.7	3.06	96	3.78	54.9	2.16	27
3/4"		19	0.75	118.6	4.67	149.1	5.87	86.4	3.40	46
1"		19	0.75	118.6	4.67	149.1	5.87	86.4	3.40	46
1/8"	Male NPT/BSPT	4.8	0.19	88.4	3.48	96	3.78	54.9	2.16	27
1/4"		7.1	0.28	97.3	3.83	96	3.78	54.9	2.16	27
3/8"		9.6	0.38	97.3	3.83	96	3.78	54.9	2.16	27
1/2"		10	0.39	106.9	4.21	96	3.78	54.9	2.16	27
3/4"		15.8	0.62	144.8	5.70	149.1	5.87	86.4	3.40	46
1"		19	0.75	154.4	6.08	149.1	5.87	86.4	3.40	46



