

ENGINEERED SPECIALS

RAPID TURN AROUND TIME

Using the latest CNC machines, we produce highly accurate, quick turn parts with high volume runs or prototypes based upon needs.

CUSTOM FINISHES

Select from a variety of finishes on solid metal parts built to precise design specifications.

SCALABILITY

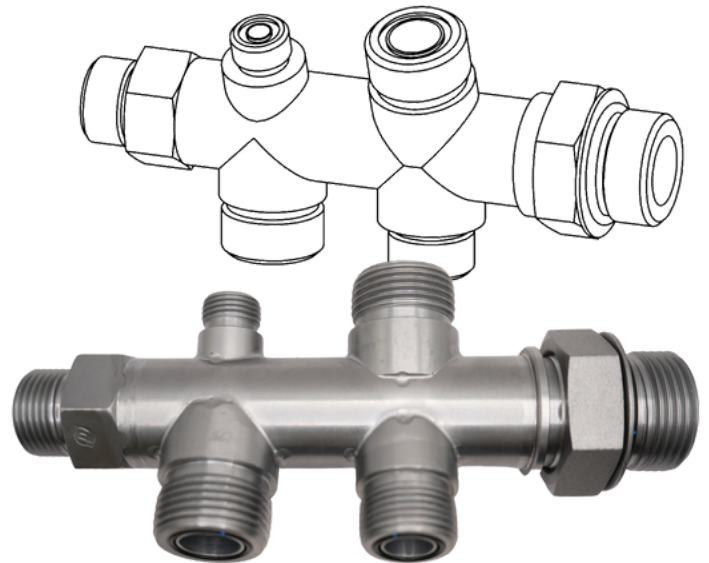
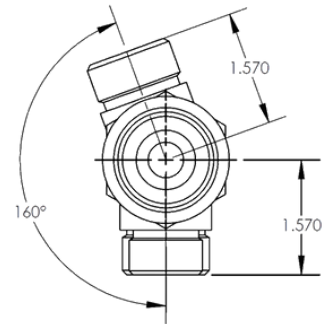
Perfect for production of 1-10,000 parts or more.

PRECISION

High-precision tolerances ranging from +/- .0005" - .010" depending upon customer specs.

MATERIAL SELECTION

Choose from several metal grades (exotic/common) with our wide variety of certified materials.

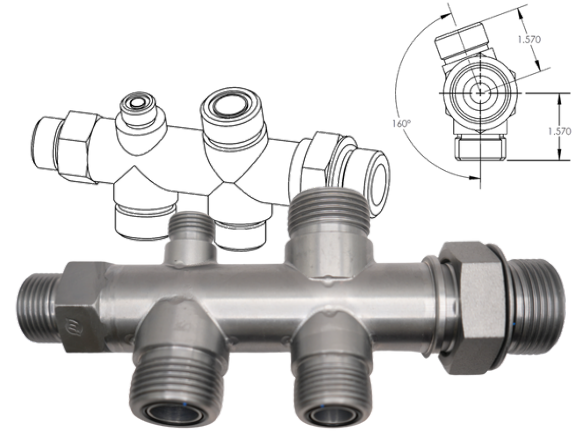


DID YOU KNOW WE CAN CREATE CUSTOM PRODUCTS FOR OUR CUSTOMERS?

While our sales team collaborates with customers to determine their specific needs, full credit goes to our engineers who bring these special designs to life. Because we control the manufacturing process from end to end, we can offer the widest variety of sizes, materials, platings, coatings, and customized solutions along with full STEP files. Our ability to create products outside of our standard offerings allows us to design them entirely based on customers' wants and needs.

IN ACTION

The fitting here was designed for one of our largest agriculture OEM customers to eliminate six separate fittings, six potential leak points, and reduce component count. We collaborated with the customer to develop a solution that improved quality and streamlined the supply chain. Below are other examples of our precision-engineered solutions.



Aerospace
Autoclave Part



Agricultural MRO



Agricultural Fuel
Tank Adapter



Aluminum
Cable Fastener



Forklift Bent
Tube Assembly



Forklift Elbow



Forklift Nut



Forklift
Steel Coupling



Forklift –
Multi Port Adapter



High Pressure SS
Bleeder Nut Oil & Gas



Lawn
Equipment Manifold



Magnetics
Component



Mine Equipment
Spraying System



Power Transmission
Brass Adapter



Public
Transportation Manifold



SS Oil Field
Accumulator Block Fitting



SS Cane End



Steel Adapter Zinc Phosphate
Finish



Tractor Hydraulics
Zinc Nickel Plating



Transit Bus
45° Elbow



Transit Bus



Unplated Steel



Zinc



Zinc Nickel Elbow Tractor Hydraul