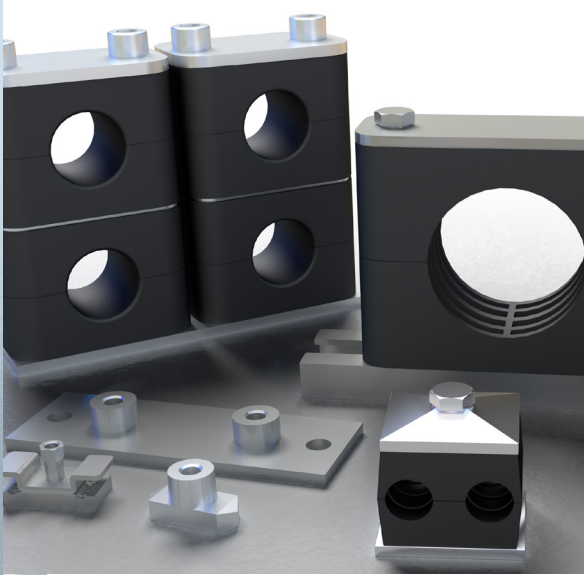
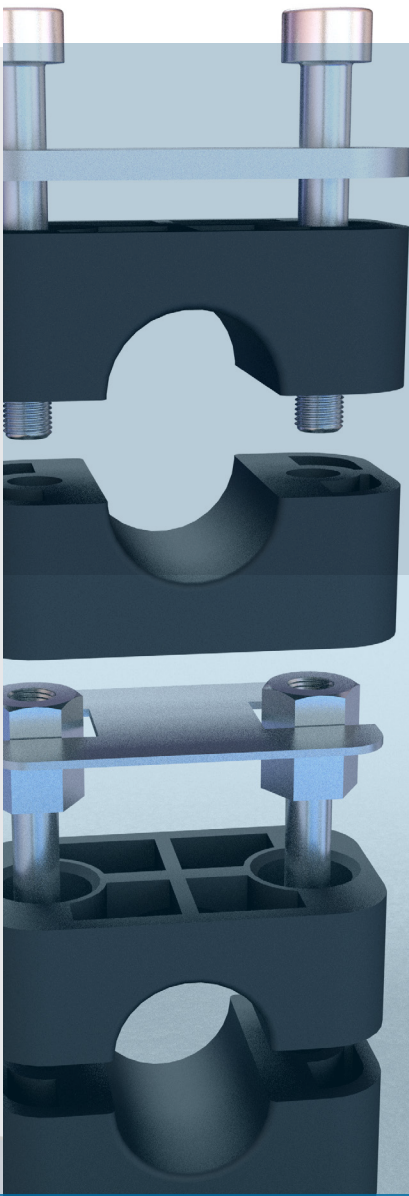




**BRENNAN**



# COMPLETE CLAMP KITS

*STANDARD, HEAVY AND TWIN  
TUBE AND PIPE*

*CLAMP KITS*

# STANDARD & HEAVY SERIES COMPLETE CLAMP KITS

## STANDARD SERIES:

### COMPLETE KIT

FOR TUBING APPLICATIONS		
PART NO.	GROUP	ØD (in.)
CT-S1-04-CS-A	1	1/4
CT-S1-06-CS-A	1	3/8
CT-S2-08-CS-A	2	1/2
CT-S2-10-CS-A	2	5/8
CT-S3-12-CS-A	3	3/4
CT-S3-14-CS-A	3	7/8
CT-S3-16-CS-A	1	1
CT-S5-20-CS-A	5	1 1/4
CT-S5-24-CS-A	5	1 1/2
CT-S6-28-CS-A	6	1 3/4
CT-S6-32-CS-A	2	2
CT-S7-36-CS-A	7	2 1/4
CT-S7-40-CS-A	7	2 1/2
CT-S7-44-CS-A	7	2 3/4
CT-S7-48-CS-A	3	3
CT-S8-56-CS-A	8	3 1/2
CT-S8-64-CS-A	8	4

### COMPLETE KIT

FOR PIPE APPLICATIONS		
PART NO.	GROUP	NB* (in.)
CP-S2-04-CS-A	2	1/4
CP-S2-06-CS-A	2	3/8
CP-S3-08-CS-A	3	1/2
CP-S4-12-CS-A	4	3/4
CP-S5-16-CS-A	5	1
CP-S5-20-CS-A	5	1 1/4
CP-S6-24-CS-A	6	1 1/2
CP-S7-32-CS-A	7	2
CP-S7-40-CS-A	7	2 1/2
CP-S8-48-CS-A	8	3

- Kit contains: slotted polypropylene body, phosphate treated carbon steel weld plate, zinc-nickel plated cover plate and bolts.
- For alternate finishes/materials replace -CS in the above part numbers with the following codes: -S4 304 stainless steel, -S6 316 stainless steel. Consult factory for availability.

- Kit contains: slotted polypropylene body, phosphate treated carbon steel weld plate, zinc-nickel plated cover plate and bolts.
- For alternate finishes/materials replace -CS in the above part numbers with the following codes: -S4 304 stainless steel, -S6 316 stainless steel. Consult factory for availability.
- Nominal bore\*

#### COMPLETE CLAMP KIT

- KIT CONTAINS:**
- SLOTTED POLYPROPYLENE BODY
  - PHOSPHATE TREATED CARBON STEEL WELD PLATE
  - ZINC-NICKEL PLATED COVER PLATE
  - ZINC-NICKEL PLATED BOLTS

## HEAVY SERIES: COMPLETE KIT

FOR TUBING APPLICATIONS		
PART NO.	GROUP	OD (in.)
CT-H3-04-CS-A	3	1/4
CT-H3-06-CS-A	3	3/8
CT-H3-08-CS-A	3	1/2
CT-H3-10-CS-A	3	5/8
CT-H4-12-CS-A	4	3/4
CT-H4-14-CS-A	4	7/8
CT-H4-16-CS-A	1	1
CT-H5-20-CS-A	5	1 1/4
CT-H5-24-CS-A	5	1 1/2
CT-H6-28-CS-A	6	1 3/4
CT-H6-32-CS-A	2	2
CT-H6-36-CS-A	2	2 1/4
CT-H6-40-CS-A	2	2 1/2
CT-H7-44-CS-A	7	2 3/4
CT-H7-48-CS-A	3	3
CT-H8-56-UN-A	8	3 1/2
CT-H8-64-UN-A	4	4

- For alternate finishes/materials replace -CS/UN in the above part numbers with the following codes: -S4 304 stainless steel, -S6 316 stainless steel. Consult factory for availability.

## COMPLETE KIT

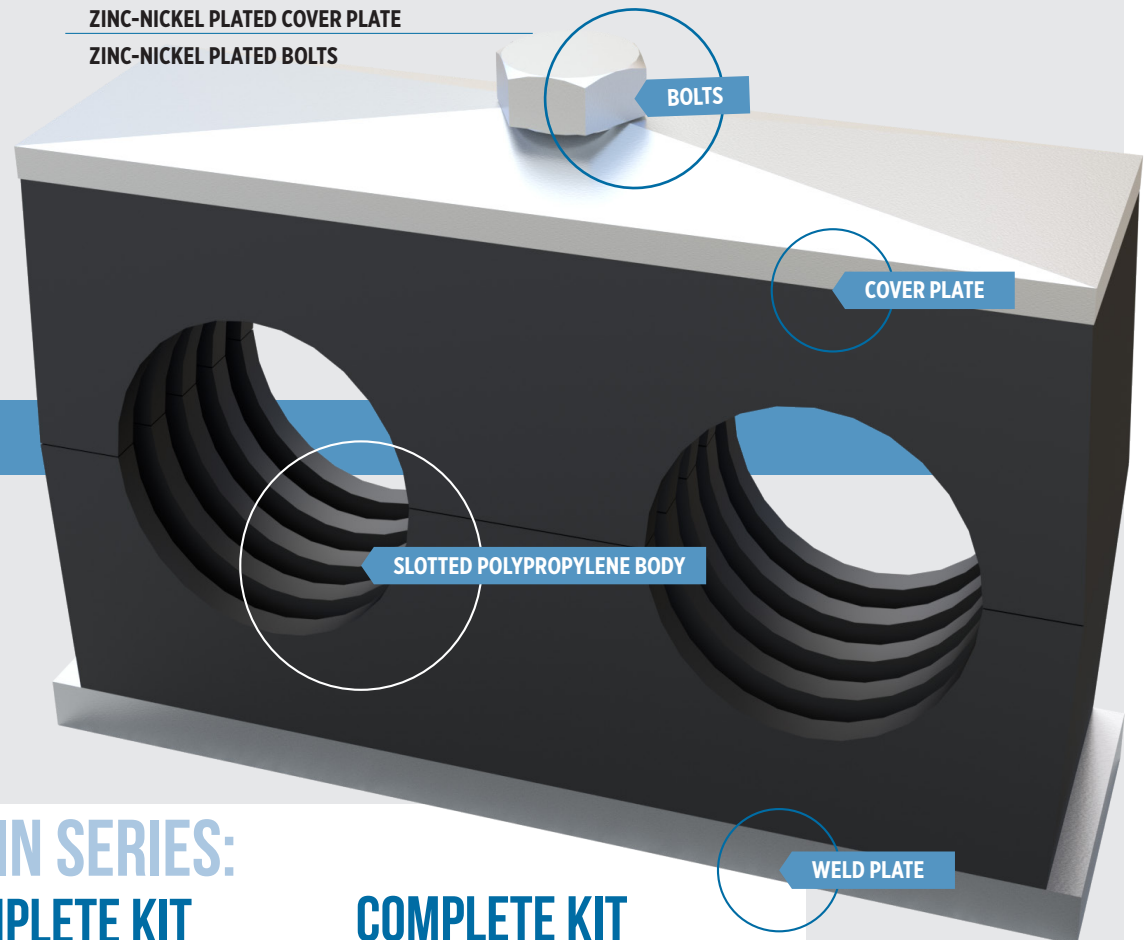
FOR PIPE APPLICATIONS		
PART NO.	GROUP	NB* (in.)
CP-H3-04-CS-A	3	1/4
CP-H3-06-CS-A	3	3/8
CP-H4-08-CS-A	4	1/2
CP-H4-12-CS-A	4	3/4
CP-H5-16-CS-A	5	1
CP-H5-20-CS-A	5	1 1/4
CP-H6-24-CS-A	6	1 1/2
CP-H6-32-CS-A	6	2
CP-H7-40-CS-A	7	2 1/2
CP-H8-48-UN-A	8	3

- For alternate finishes/materials replace -CS/UN in the above part numbers with the following codes: -S4 304 stainless steel, -S6 316 stainless steel. Consult factory for availability.
- Nominal bore\*

#### COMPLETE CLAMP KIT

# TWIN SERIES COMPLETE CLAMP KITS

- KIT CONTAINS:**
- SLOTTED POLYPROPYLENE BODY
  - PHOSPHATE TREATED CARBON STEEL WELD PLATE
  - ZINC-NICKEL PLATED COVER PLATE
  - ZINC-NICKEL PLATED BOLTS



## TWIN SERIES: COMPLETE KIT

FOR TUBING APPLICATIONS		
PART NO.	GROUP	OD (in.)
CT-T1-04-CS-A	1	1/4
CT-T1-06-CS-A	1	3/8
CT-T2-08-CS-A	2	1/2
CT-T2-10-CS-A	2	5/8
CT-T3-12-CS-A	3	3/4
CT-T3-14-CS-A	3	7/8
CT-T3-16-CS-A	1	1
CT-T5-20-CS-A	5	1 1/4
CT-T5-24-CS-A	5	1 1/2

- Kit contains: slotted polypropylene body, phosphate treated carbon steel weld plate, zinc-plated cover plate and bolt.
- For alternate finishes/materials replace -CS in the above part numbers with the following codes: -S4 304 stainless steel, -S6 316 stainless steel. Consult factory for availability.

## COMPLETE KIT

FOR PIPE APPLICATIONS		
PART NO.	GROUP	NB* (in.)
CP-T2-04-CS-A	2	1/4
CP-T2-06-CS-A	2	3/8
CP-T3-08-CS-A	3	1/2
CP-T4-12-CS-A	4	3/4
CP-T5-16-CS-A	5	1
CP-T5-20-CS-A	5	1 1/4

- Kit contains: slotted polypropylene body, phosphate treated carbon steel weld plate, zinc-nickel plated cover plate and bolt.
- For alternate finishes/materials replace -CS in the above part numbers with the following codes: -S4 304 stainless steel, -S6 316 stainless steel. Consult factory for availability.
- Nominal bore\*

## US DISTRIBUTION CENTERS

ATLANTA TOLL FREE: 800.458.1988  
FAX: 770.987.0926

CLEVELAND TOLL FREE: 800.331.1523  
FAX: 440.248.9375

DALLAS TOLL FREE: 800.443.9937  
FAX: 972.660.6638

HOUSTON TOLL FREE: 800.443.9937  
FAX: 713.808.9477

LOS ANGELES TOLL FREE: 800.942.5321  
FAX: 949.595.0933

SEATTLE TOLL FREE: 800.445.7107  
FAX: 253.826.4884

## INT'L DISTRIBUTION CENTERS

BIRMINGHAM, UK PHONE: 01922 650039  
FAX: 01922 626179

SHANGHAI, CN PHONE: +86 21 57391155  
FAX: 86 21 57390688

## CANADIAN DISTRIBUTION CENTERS

CALGARY TOLL FREE: 844.379.9300  
FAX: 403.279.4583

MONTREAL PHONE: 514.339.1139  
FAX: 514.339.2601

TORONTO TOLL FREE: 855.267.9013  
FAX: 905.673.8788

VANCOUVER PHONE: 604.420.6540  
FAX: 604.420.6545

WINNIPEG PHONE: 204.694.8068  
FAX: 204.694.8113



### CORPORATE HEADQUARTERS

6701 Cochran Road  
Solon, Ohio 44139 USA

### DOMESTIC MANUFACTURING

26420 Century Corners Parkway  
Cleveland, Ohio 44132 USA

PHONE: 440.248.1880

TOLL FREE: 888.331.1523

FAX: 440.248.7282

### INTERNATIONAL FORGING FACILITY

Xuzhou Forging Facility  
No. 5, Hanyun Avenue  
Ningjiang Industrial Park  
Suining Country, Xuzhou City  
Jiangsu Province, China

\*Full clamp component offering catalog is also available, LIT-072

[brennaninc.com](http://brennaninc.com)